



Decor-Grille
Security

Roller Shutter

aluminium



Specification

Material

All ALUMINIUM

Curtain

40mm twin wall extruded aluminium alloy 6036-T6
Secured alternately with Polyamide end locks.

Curtain Types

SOLID

Bottom Rail

Solid Rail complete with rubber seal

Guide Rail

THREE types available - Standard 60mm x 24mm

Box

Shutter Boxes from 165mm² - rolled formed from stove enamelled aluminium sheet with 45 degree chamfer on front lower corner.

Maximum Size

Maximum width: 4 metres
Maximum height: a) Manual - 2.8 metres
b) Electric - 5 metres

Suggested Security Level

MEDIUM & MEDIUM TO HIGH

Application

- Internal & External
- Windows
- Doors
- Bar & Servery
- Other Heat & Sound Insulation; Shade & Light



Product
Reference
RA4



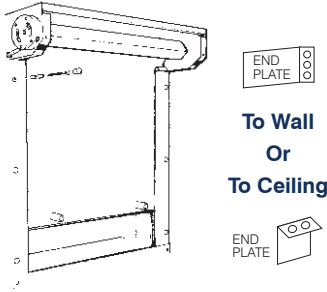
Decor-Grille Security

Roller Shutter

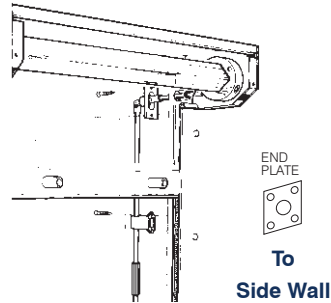
aluminium

Methods of Fixing

Face Fixing



Reveal Fixing



Product Size Parameters

Weight of curtain 8kg/Sq Metre	Manual		Electric		Electric Mor*	
	Min	Max	Min	Max	Min	Max
Width	755	4000	660	4000	710	4000
Height	500	2800	500	5000	500	5000

*including manual override in case of power failures.

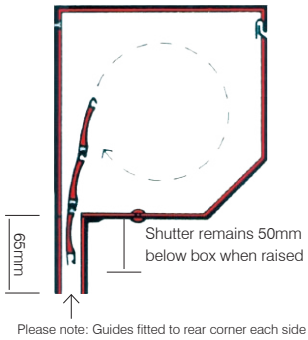
Colours

Slat (unvented only)	White RAL 9010	Brown RAL 8014	Cream RAL 1015
Shutterbox, Guide Rails & Bottom Slat	White RAL 9010	Brown RAL 8014	

Other RAL colours available for a surcharge.

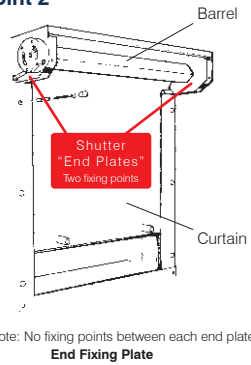
Section Through Box Guide

Key Point 1



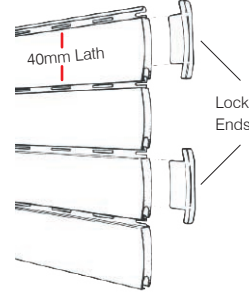
Shutter Assembly

Key Point 2



Shutter Curtain

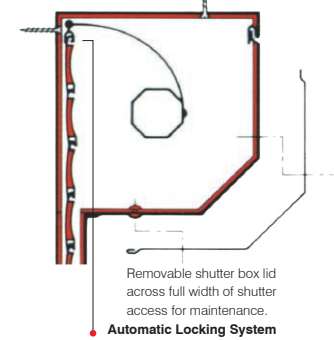
Key Point 3



Extruded Aluminium
Laths with twin wall. Provides High Security

Locking System/Box Lid

Key Point 4



Types of Operation



Manual Spring Loaded
Only for operating on same side as shutter.



Manual Rod Crank
Enables and external shutter to be operated manually from inside.



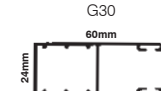
Electric Motor & Switch
These are required on larger shutters optional on smaller shutters. Various control systems available. See separate sheet.

Guide Options

Standard Guide Rail G25 - Supplied as standard



Optional Guide Rail G30



High Security Guide G40 - High security use with wind ends - locks

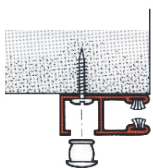


Maximum Widths & Height for various shutter box sizes

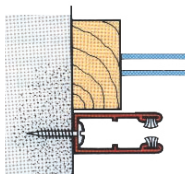
Max Width (mm) Including Guide Rails	Max Shutter Height (mm) Including Box	Electric Box Box Size (mm)
4000	500 - 1600	165
4000	1601 - 1900	180
4000	1901 - 2800	205
4000	2801 - 3000	250
3700	3001 - 3200	250
3500	3201 - 3400	250
3300	3401 - 3600	250
3100	3601 - 3800	250
3000	3801 - 4000	250
2800	4001 - 4200	250

Guide Fixings

Face Fix



Reveal Fix



Optional Extras

Electric

1. Manual override - in case of power failure.
2. Manual override lock - for extra security
3. Low level manual override for ease of use when shutter is fitted internally

Manual

1. Guide rail bullet locks for extra security. To be used in conjunction with 70mm guide or above.
2. Cill angle 30 x 20 or 70 x 20.
3. Reinforced bottom slat angle/handle for extra security.
4. Removable guide rails for bar/servey with shoot bolts together with a recessed 40mm socket & dust cap.

Max Width (mm) Including Guide Rails	Max Shutter Height (mm) Including Box	Manual Box Size (mm)
4000	500 - 1400	165
3800	1401 - 1600	165
3600	1601 - 1800	180
3400	1801 - 2000	205
3200	2001 - 2200	205
3000	2201 - 2400	205
2800	2401 - 2600	205

Decor Grille Security, 147 Easterly Road, Leeds, LS8 2RY

Tel: 0113 248 4747

Fax: 0113 248 7858

Email: info@dgsecurity.co.uk

www.dgsecurity.co.uk