



Decor-Grille
Security

Roller Shutter

aluminium



Specification

Material

All ALUMINIUM with Steel End Plate.

Curtain

40mm twin wall extruded aluminium alloy 6036-T6
Secured alternately with Polyamide end locks.

Curtain Types

SOLID

Bottom Rail

Solid Rail complete with rubber seal

Guide Rail

Heavy Duty Guide 70mm x 27mm

Box

Shutter Boxes from 165mm² - rolled formed from stove enamelled aluminium sheet with 45 degree chamfer on front lower corner.

Maximum Size

Maximum width: 3 metres
Maximum height: 4 metres

Suggested Security Level

HIGH - Insurance Approved

Application

- Internal & External
- Windows
- Doors
- Bar & Servery
- Other Heat & Sound Insulation; Shade & Light

RA401 IS SECURED BY DESIGN TO LPCB
LEVEL 1 ELECTRIC OPERATION ONLY



Product
Reference
RA401



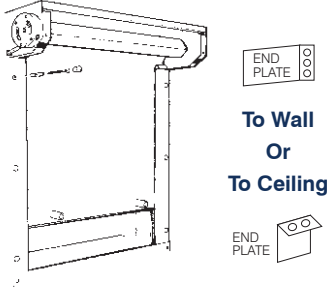
Decor-Grille Security

Roller Shutter

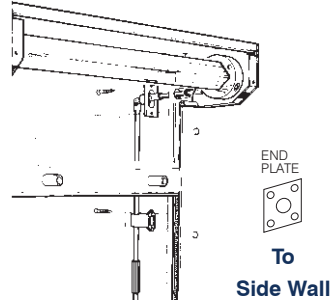
aluminium

Methods of Fixing

Face Fixing



Reveal Fixing



Product Size Parameters

Weight of curtain 8kg/Sq Metre	Manual		Electric		Electric Mor*	
	Min	Max	Min	Max	Min	Max
Width	N/A	N/A	660	4000	710	4000
Height	N/A	N/A	500	5000	500	5000

*including manual override in case of power failures.

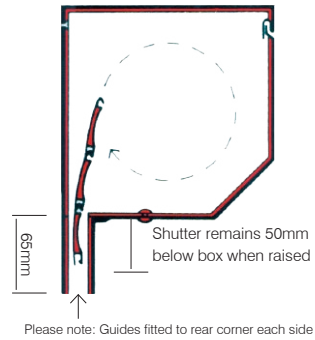
Colours

Slat (unvented only)	White RAL 9010	Brown RAL 8014	Cream RAL 1015
Shutterbox, Guide Rails & Bottom Slat	White RAL 9010	Brown RAL 8014	

Other RAL colours available for a surcharge.

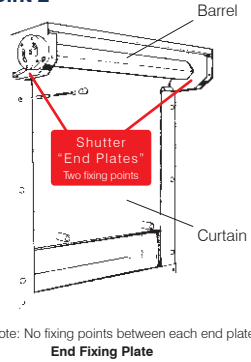
Section Through Box Guide

Key Point 1



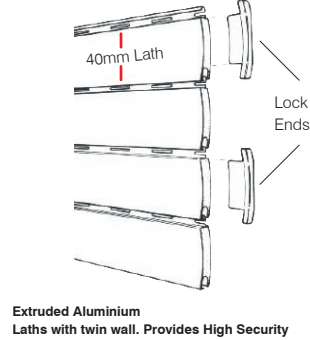
Shutter Assembly

Key Point 2



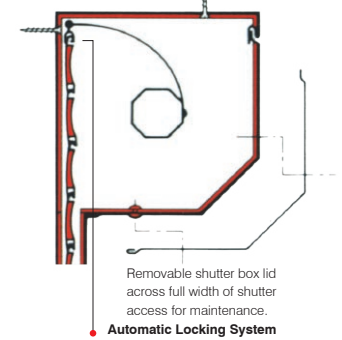
Shutter Curtain

Key Point 3



Locking System/Box Lid

Key Point 4



Types of Operation

Electric Motor & Switch

These are required on larger shutters optional on smaller shutters. Various control systems available. See separate sheet.

Guide Options

High Security Guide

G40 - High security use with wind ends - locks

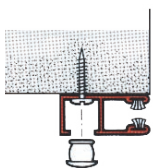


Maximum Widths & Height for various shutter box sizes

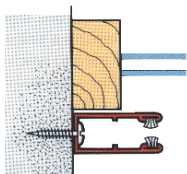
Max Width (mm) Including Guide Rails	Max Shutter Height (mm) Including Box	Electric Box Box Size (mm)
4000	500 - 1600	165
4000	1601 - 1900	180
4000	1901 - 2800	205
4000	2801 - 3000	250
3700	3001 - 3200	250
3500	3201 - 3400	250
3300	3401 - 3600	250
3100	3601 - 3800	250
3000	3801 - 4000	250
2800	4001 - 4200	250

Guide Fixings

Face Fix



Reveal Fix



Optional Extras

Electric

1. Manual override - in case of power failure.
2. Manual override lock - for extra security

Decor Grille Security, 147 Easterly Road, Leeds, LS8 2RY

Tel: 0113 248 4747

Fax: 0113 248 7858

Email: info@dgsecurity.co.uk

www.dgsecurity.co.uk