

VT5 Telescopic Vehicle Post

A Medium Security Commercial Telescopic Security Post with Built-in Security Lock.



The Problem

- Theft of vehicles and Ram Raids are on the increase.
- Financial Costs and Inconvenience
- Increased Insurance Premiums

The Solution

- VT5 Commercial Telescopic Post provides a simple, secure and cost effective method of protecting buildings and vehicles. Strategically located VT5 Telescopic Vehicle Post is a truly effective deterrent, yet is also aesthetically pleasing.
- Fitted 950mm down into the ground it is a very strong post that simply lifts out of the ground and in seconds, is locked into the upright position using its integral high security push button lock. When not in use it slides smoothly back beneath ground and locks, leaving just the lid visible.

SECURITY INDICATOR = MEDIUM - HIGH

Product Benefits

- Highly visible deterrent
- Easy to Use
- Prevents Access to Vehicles
- Built In High Security Lock with 2 Keys
- Matching Fixed Posts also available
- Standard colours White, Black, Red, Yellow, Blue & Green - other colours available
- Fitted 950mm below ground & 670mm above ground
- Lifting weight 11Kgs

Comes Complete With

- Fully assembled Telescopic Post and Ground Sleeve with integral lock

Applications

- Driveways
- Car Parks
- Vehicle Restriction
- Footpaths
- Forecourts
- Shop Fronts



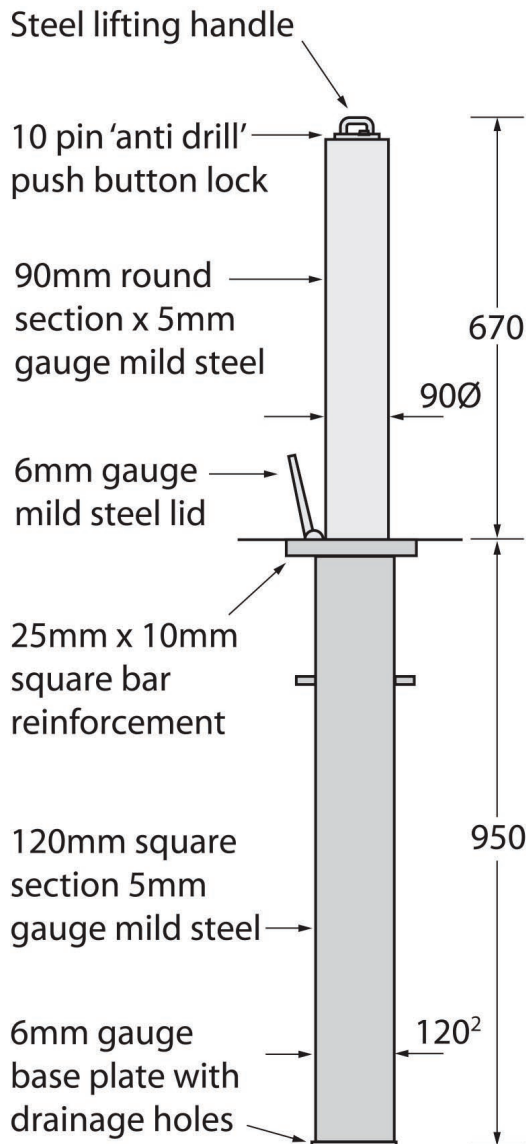
**Decor-Grille
Security**

147 Easterly Road
Leeds, LS8 2RY

Tel: 0113 248 4747
Fax: 0113 248 7858
Web: www.dgsecurity.co.uk
Email: info@dgsecurity.co.uk

VT5 Telescopic Vehicle Post

A Medium Security Commercial Telescopic Security Post with Built-in Security Lock.



Mild steel to BS1449.
Galvanised to BSENISO 1461 (1999)



Decor-Grille
Security



Decor-Grille
Security

147 Easterly Road
Leeds, LS8 2RY

Tel: 0113 248 4747
Fax: 0113 248 7858
Web: www.dgsecurity.co.uk
Email: info@dgsecurity.co.uk